

10Ω SPDT Analog Switch

FEATURES

- Low On-Resistance (10Ω)
- Single Supply Operation from 1.65V to 5.5V
- Low Charge Injection
- Low Total Harmonic Distortion (THD)
- Full 0 – V_{CC} Signal Handling Capability
- Excellent On-Resistance Matching
- Control input tolerates voltages up to 7.0V
- Break-Before-Make Enable Circuitry
- 250MHz, -3dB Bandwidth
- Packages: SC70-6, SOT23-6

APPLICATIONS

- Battery-Powered Equipment
- Audio and Video Signal Routing
- Communication Circuits

BLOCK DIAGRAM

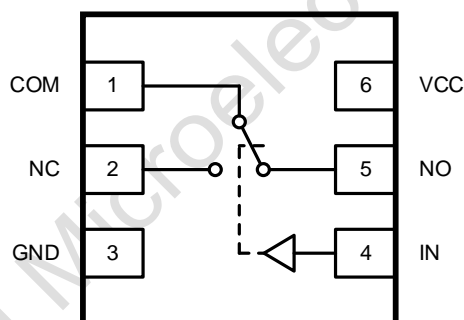


Figure 1, Block Diagram

GENERAL DESCRIPTIONS

The ASW3157 is a Single Pole Double Throw (SPDT) analog switch. It can operate from a single 1.65V to 5.5V power supply. The Control Input tolerates voltages up to 7.0V, independent of the V_{CC} operating range.

The ASW3157 also features guaranteed Break-Before-Make (BBM) switching, assuring the switches never short the driver.

FUNCTION TABLE

IN	NO	NC
0	OFF	ON
1	ON	OFF

PIN DIAGRAM

SC70-6/SOT23-6

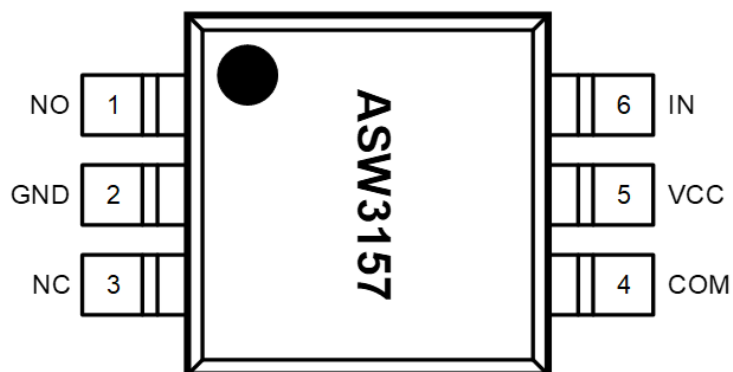


Figure 2, Pin Diagram (Top View)

PIN DESCRIPTIONS

PIN NAME	TYPE	DESCRIPTIONS	
5	VCC	POWER	Power Supply Voltage
1	NO	I/O	Data Path
4	COM	I/O	Common Path
6	IN	I	Input Control
3	NC	I/O	Data Path
2	GND	GROUND	Ground